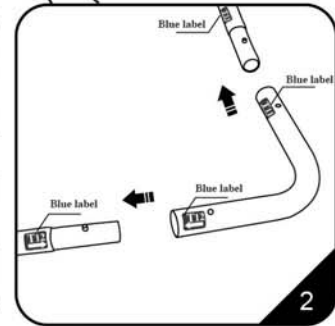
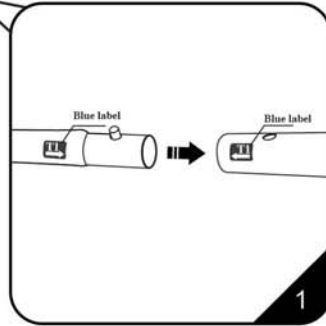
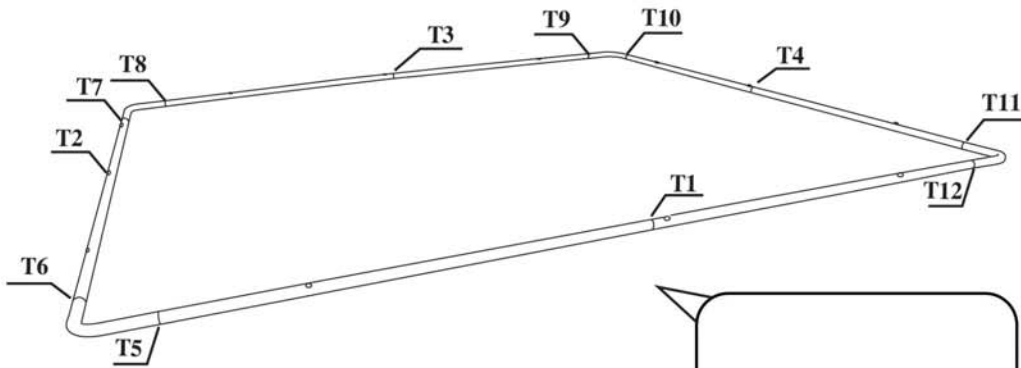


INSTALLATION STEPS

Modern appearance, high quality, practical, flexible for multiple uses Carry Cases and Spotlights are available as accessories Fast and easy to alter graphics

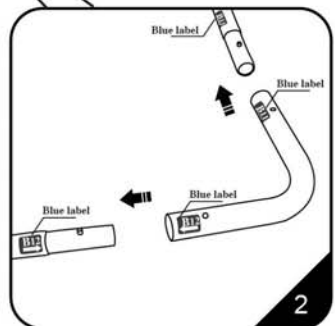
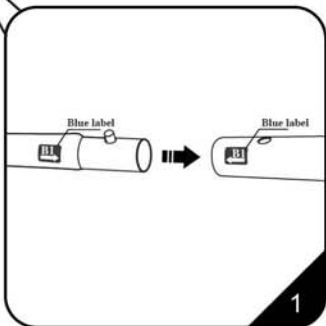
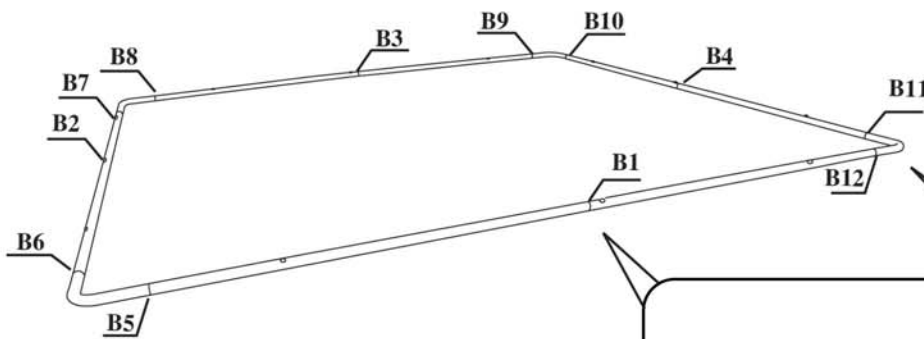
STEP 1

TOP frame

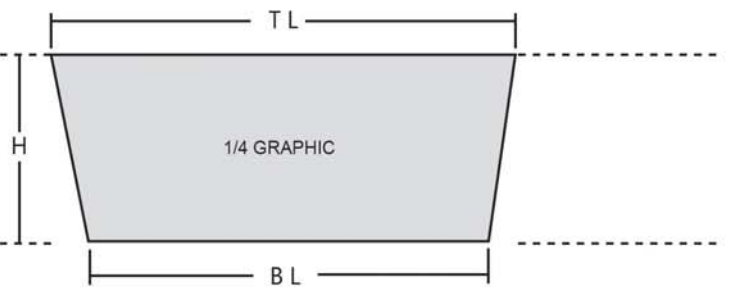
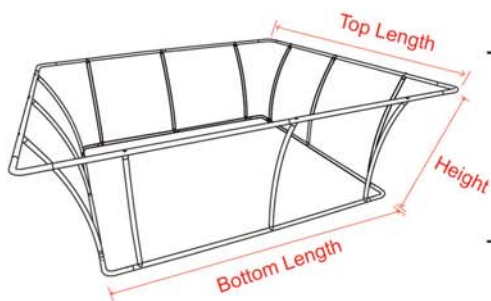
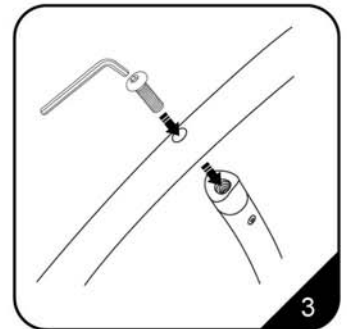
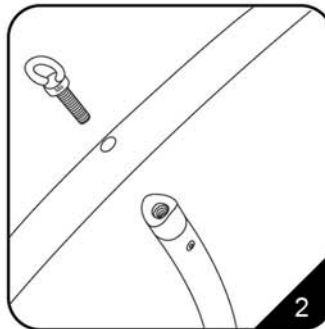
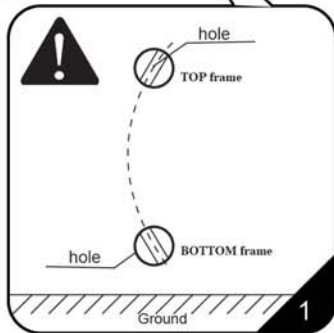
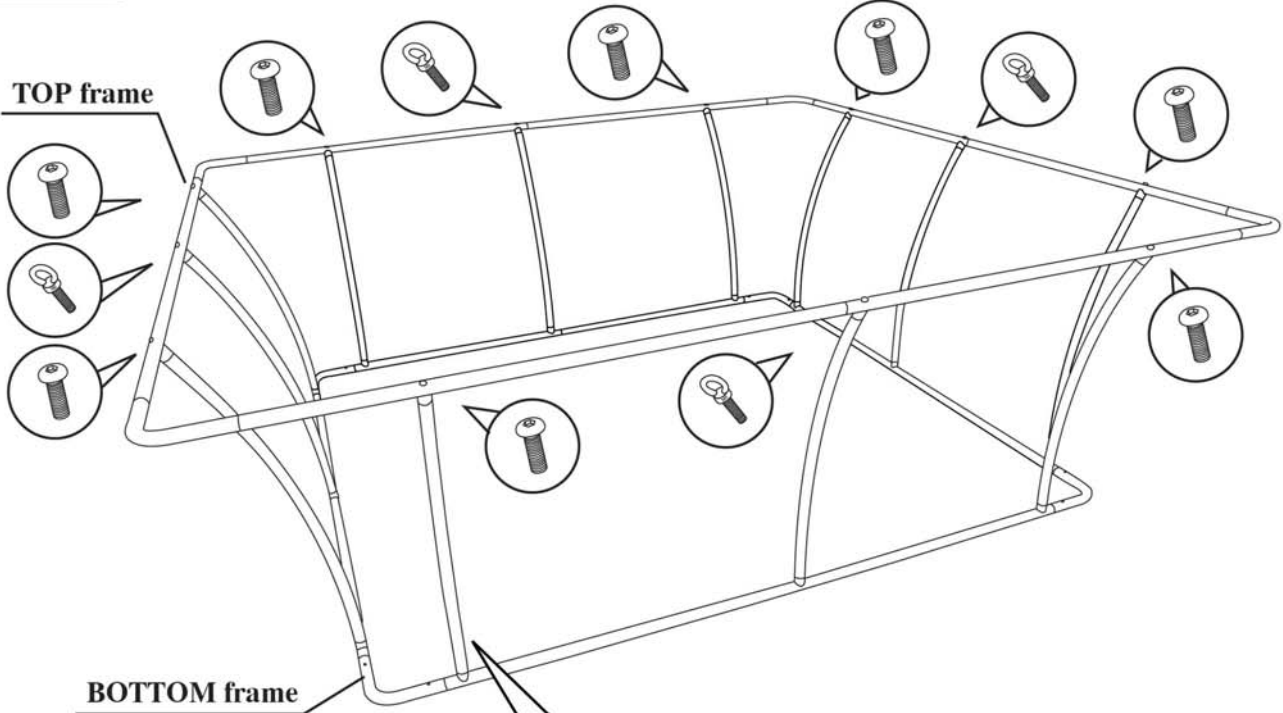


STEP 2

BOTTOM frame



STEP 3



Frame Size: 8'(2438mm).L x 3.5'(1067mm).H
 16'(4877mm).L x 4'(1219mm).H
 20'(6096mm).L x 4'(1219mm).H

1/4 Graphic Size: mm.L X mm.H
 mm.L X mm.H
 mm.L X mm.H



CAUTION:
 PLEASE READ THE INSTRUCTIONS BEFORE INSTALLING PRODUCT