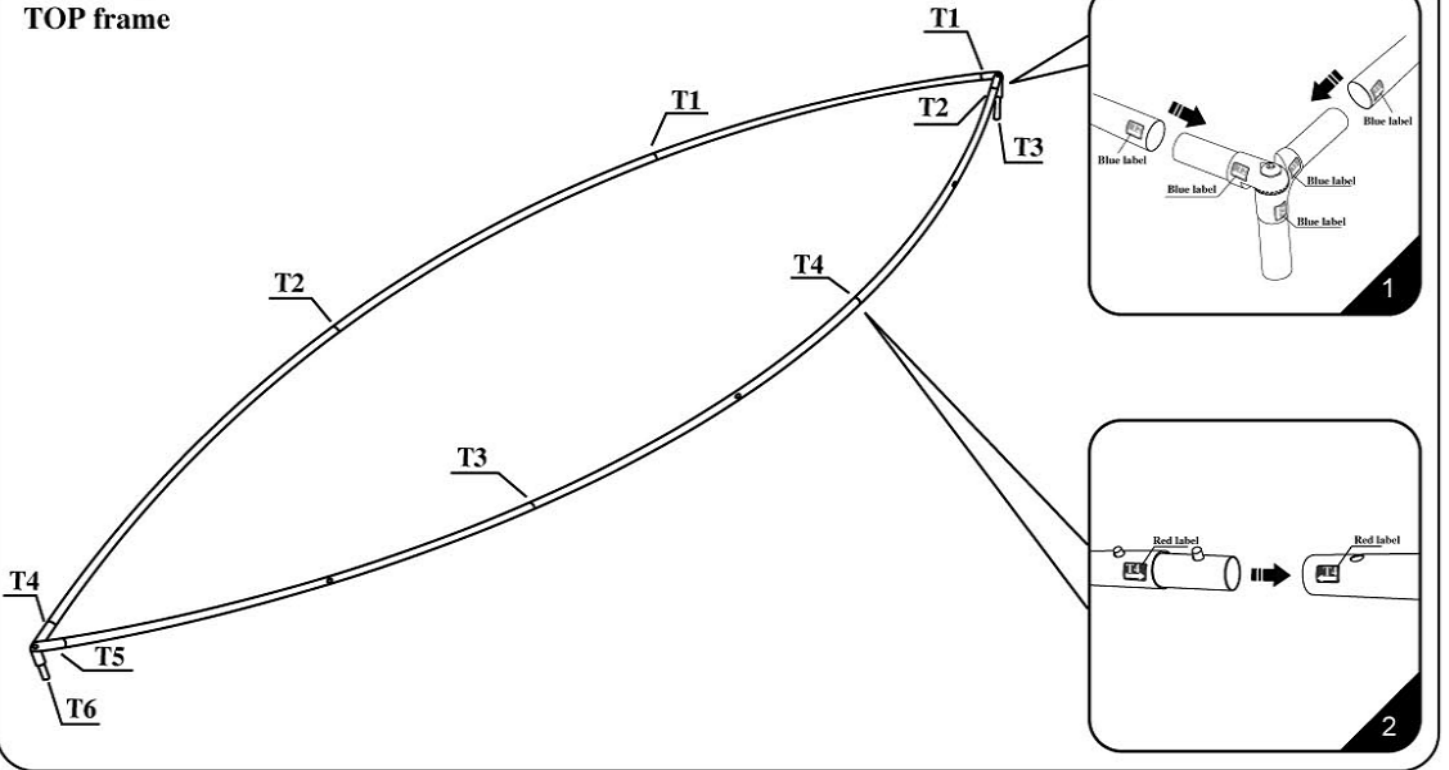


INSTALLATION STEPS

Modern appearance, high quality, practical, flexible for multiple uses Carry Cases and Spotlights are available as accessories Fast and easy to alter graphics

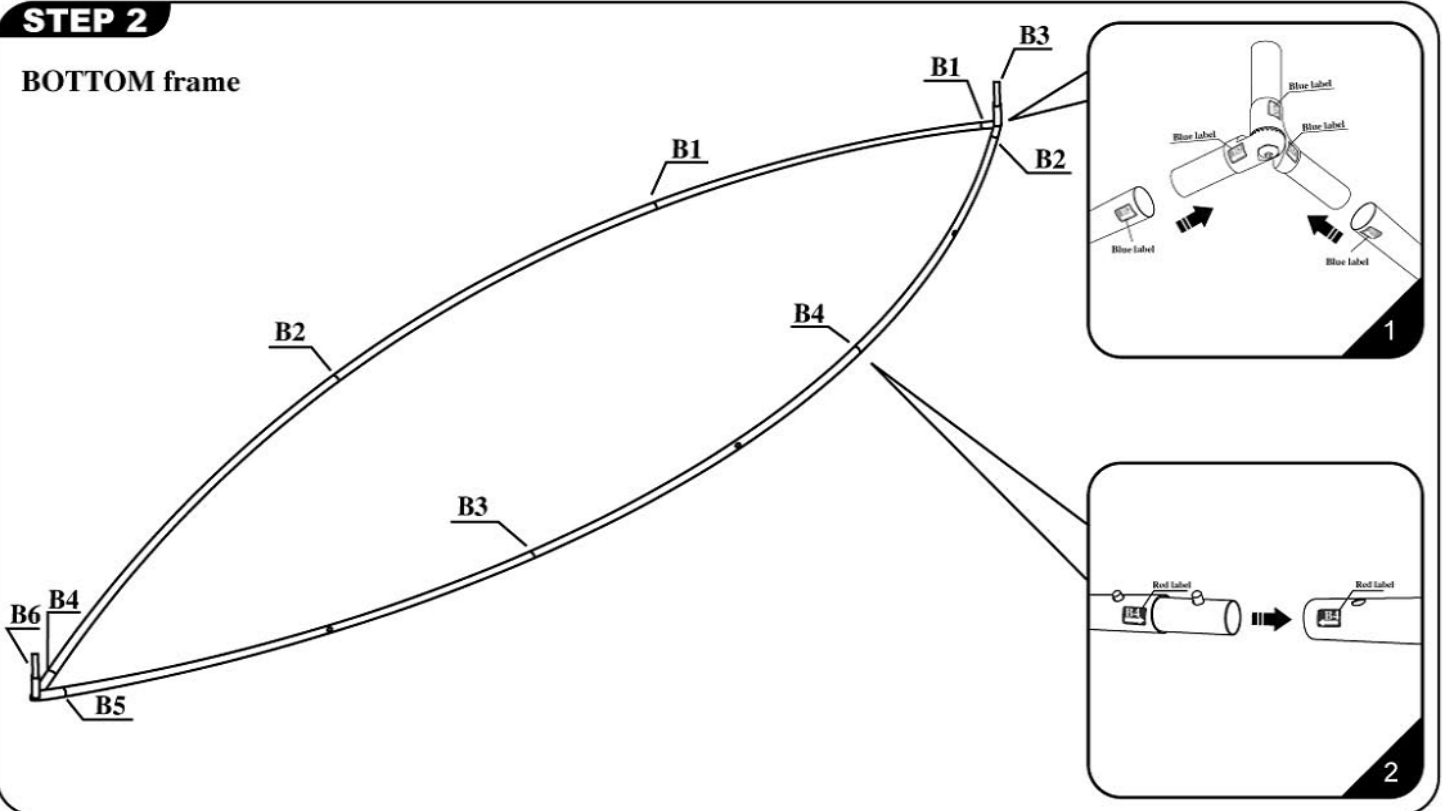
STEP 1

TOP frame

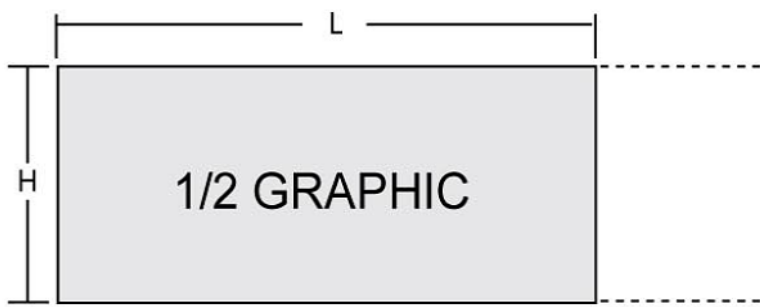
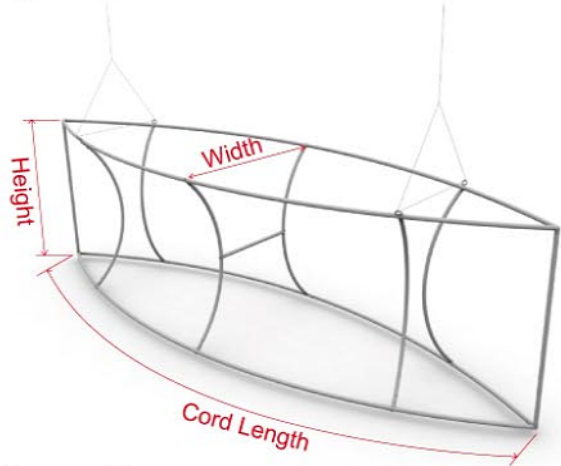
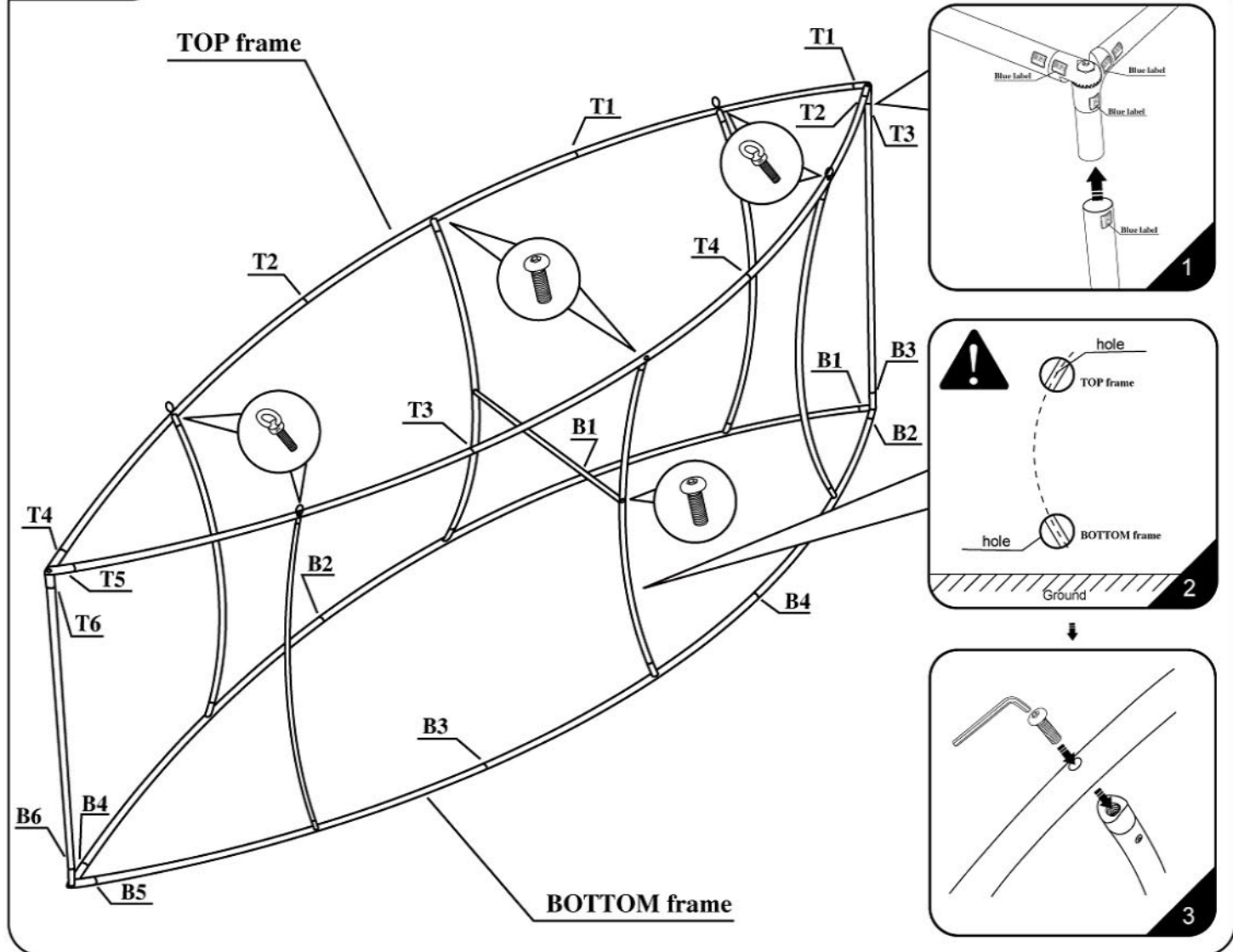


STEP 2

BOTTOM frame



STEP 3



Frame Size:
 10'(3048mm).CL / 2.75'(838mm).W x 3.5'(1067mm).H
 10'(3048mm).CL / 2.75'(838mm).W x 4'(1219mm).H
 12'(3658mm).CL / 3.25'(991mm).W x 5'(1524mm).H

Graphic Size:
 6096mm.L X 1067mm.H
 6096mm.L X 1219mm.H
 7316mm.L X 1524mm.H

CAUTION:
 PLEASE READ THE INSTRUCTIONS BEFORE INSTALLING PRODUCT